

THE NETHERLANDS
(N E D E R L A N D)

COMMUNICATION

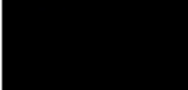


Concerning:

- approval granted
- ~~approval extended~~
- ~~approval refusal~~
- ~~approval withdrawn~~
- ~~production definitively discontinued~~


of a type of ~~front position lamps, rear position lamps, stop lamps, direction indicators and rear registration plate illuminating devices~~ for mopeds, motor cycles and vehicles treated as such pursuant to Regulation number 50.

Approval number: E4 50R 00 2001

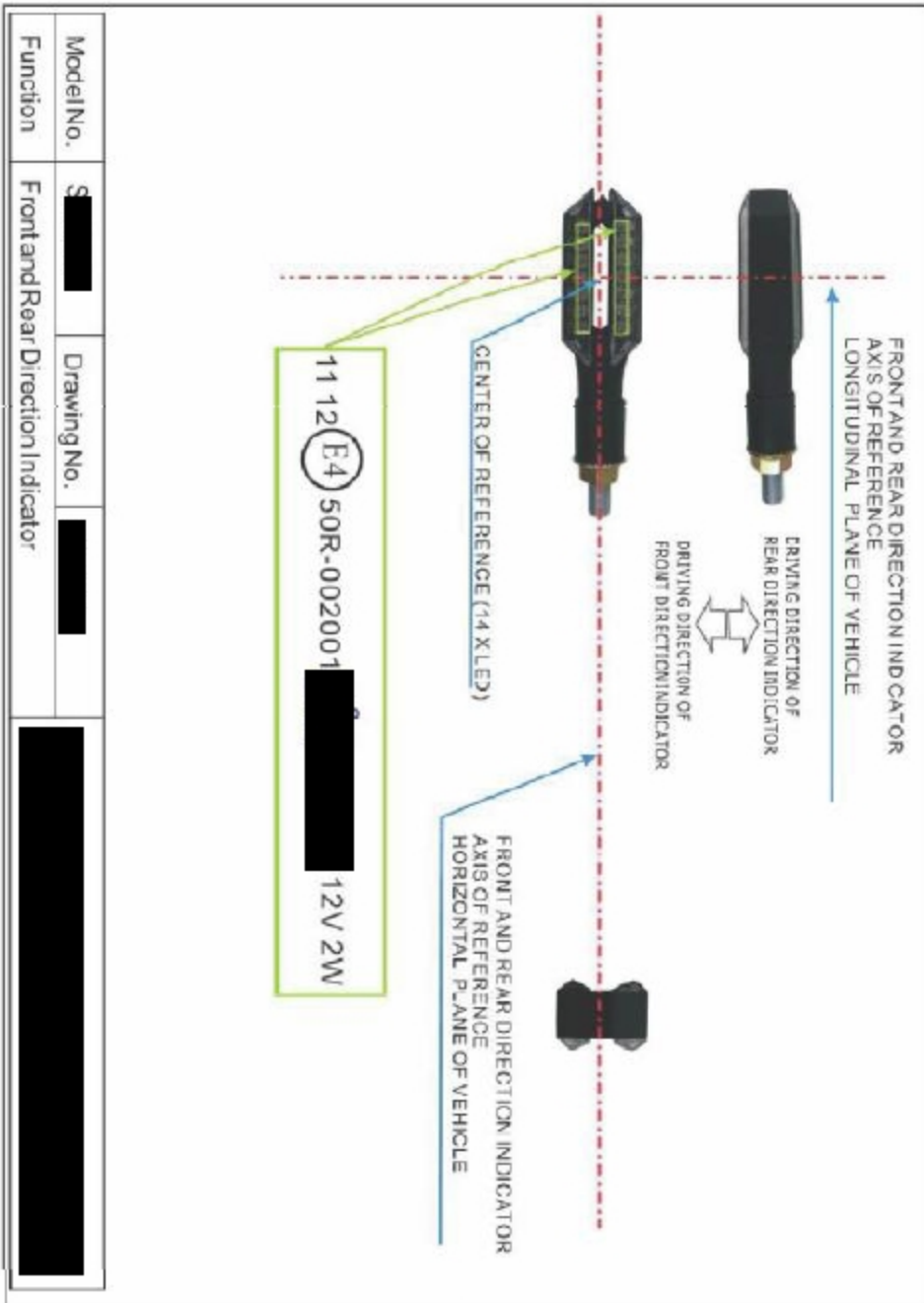
Extension number: 00

1. Trade name or mark of the device : 
2. Manufacturer's name for the type of device : 
3. Manufacturer's name and address : 
4. If applicable, name and address of the manufacturer's representative : --
5. Submitted for approval on : 9 January 2012
6. Technical service responsible for conducting approval tests : DEKRA Certification B.V.
7. Date of report issued by that service : 23 January 2012
8. Number of report issued by that service : Z150804- PHO 12-002-09
9. Concise description :

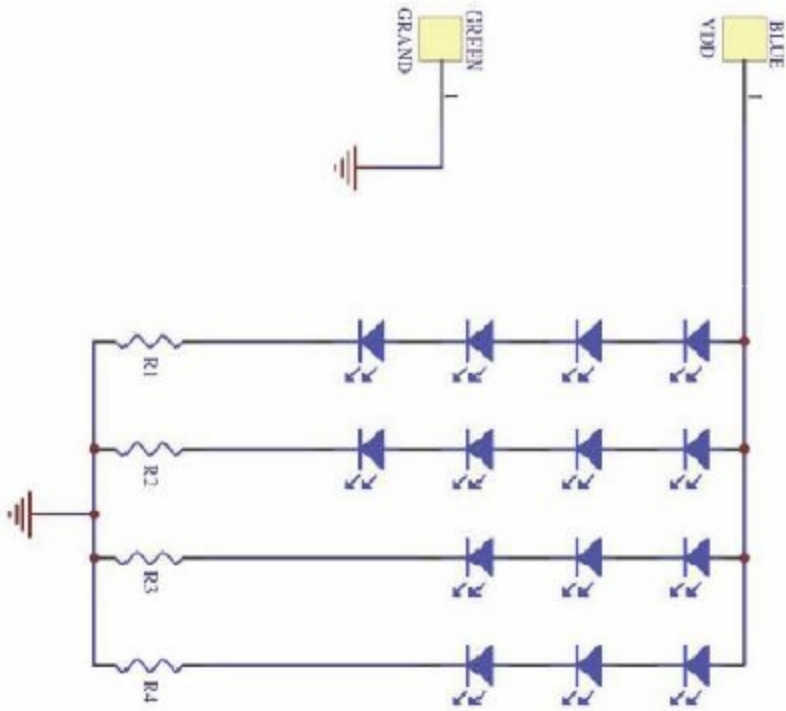


- By category of lamp : 11&12
- Colour of light emitted : ~~red/white~~/amber
- Number and category(ies) of filament lamp(s) : 14 x non replaceable light source (LEDs)
- Light source module : ~~yes~~/no
- Light source module specific identification code : --
- Geometrical conditions of installation and relating variations, if any : --
- Application of an electronic light source control gear/variable intensity control:
- (a) Being part of the lamp : ~~yes/no~~/not applicable
- (b) Being not part of the lamp : ~~yes/no~~/not applicable
- Input voltage(s) supplied by an electronic light source control gear/variable intensity control : --
- Electronic light source control gear/variable intensity control manufacturer and identification number (when the light source control gear is part of the lamp but is not included into the lamp body) : --
10. Position of the approval mark : See annexed drawing
11. Reason(s) for extension (if applicable) :
12. Approval : granted/~~refused/extended/withdrawn~~
13. Place : Zoetermeer
14. Date : 03-FEB-2012
15. Signature :
- 

R.F.R. Clement
16. The list of documents deposited with the Administrative Service which has granted approval is annexed to this communication and may be obtained upon request.
- 3 drawings No. [REDACTED] Circuit diagram and Determination of the apparent surface (annexed)
 - Test report as mentioned in item 8.



S [REDACTED] Circuit diagram



Determination of the apparent surface

SR-205 Front and rear direction indicator

