



**MODEL** HONDA CBR 600 RR

**YEAR** 2007-->

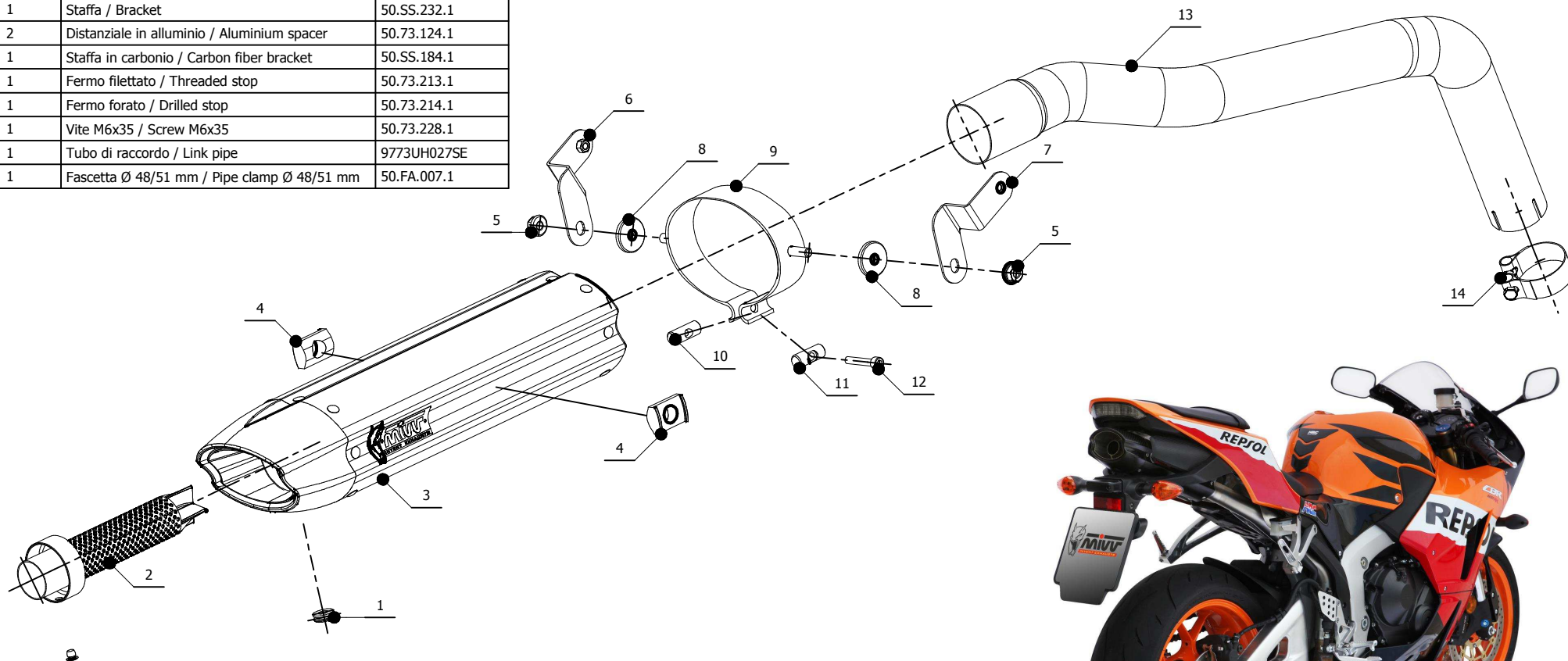
**LINE** SPORT

**MUFFLER** SUONO

**SCHEMATIC**

**ELENCO PARTI / PARTS LIST**

#	QTÀ / QTY	DESCRIZIONE / DESCRIPTION	CODICE / CODE
1	1	Tappo in gomma / Rubber stopper	50.73.266.1
2	1	Db Killer forato / Drilled DB killer	50.DK.071.0
3	1	Silenziatore / Muffler	SUONO 320
4	2	Tassello grande / Rubber big block	50.73.203.1
5	2	Dado 8 MA flangiato / Flanged nut 8 MA	50.73.393.1
6	1	Staffa / Bracket	50.SS.231.1
7	1	Staffa / Bracket	50.SS.232.1
8	2	Distanziale in alluminio / Aluminium spacer	50.73.124.1
9	1	Staffa in carbonio / Carbon fiber bracket	50.SS.184.1
10	1	Fermo filettato / Threaded stop	50.73.213.1
11	1	Fermo forato / Drilled stop	50.73.214.1
12	1	Vite M6x35 / Screw M6x35	50.73.228.1
13	1	Tubo di raccordo / Link pipe	9773UH027SE
14	1	Fascetta Ø 48/51 mm / Pipe clamp Ø 48/51 mm	50.FA.007.1



**APPLICAZIONI / APPLICATIONS**

CODICE / CODE	TUBO / PIPE	SILENZIATORE / MUFFLER	FASCETTA / CLAMP	CODICE OMOL. / HOMOL.CODE
UH.037.L7	INOX / ST. STEEL	INOX (COPPE CARBONIO) / ST. STEEL (CARBON CAPS)	CARBONIO / CARBON FIBER	ME021 e9 1213
UH.037.L9	INOX / ST. STEEL	STEEL BLACK	CARBONIO / CARBON FIBER	ME021 e9 1213

