



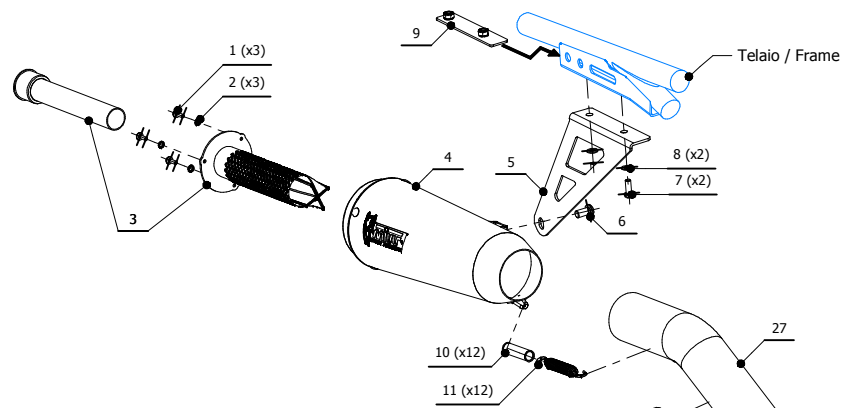
MODEL YAMAHA XSR 900

YEAR 2016 -->

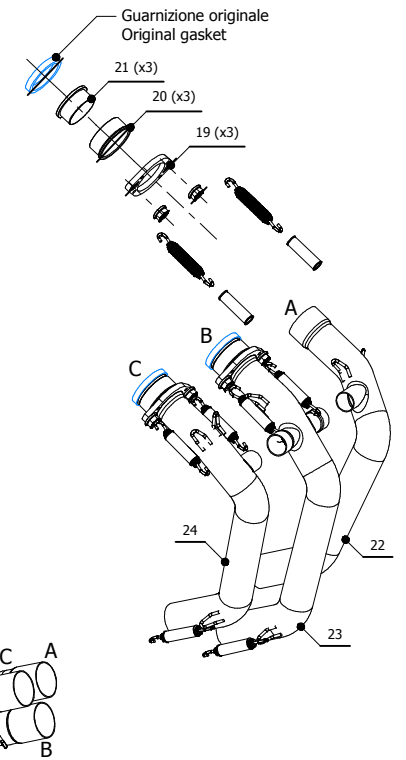
LINE FULL SYSTEM

MUFFLER GHIBLI BLACK

SCHEMATIC

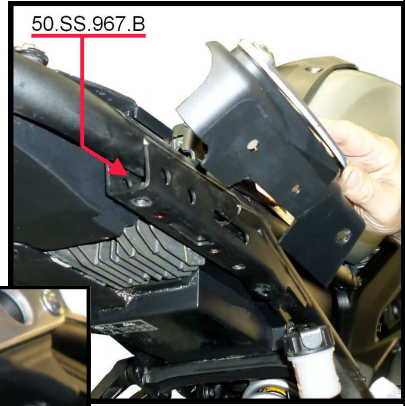
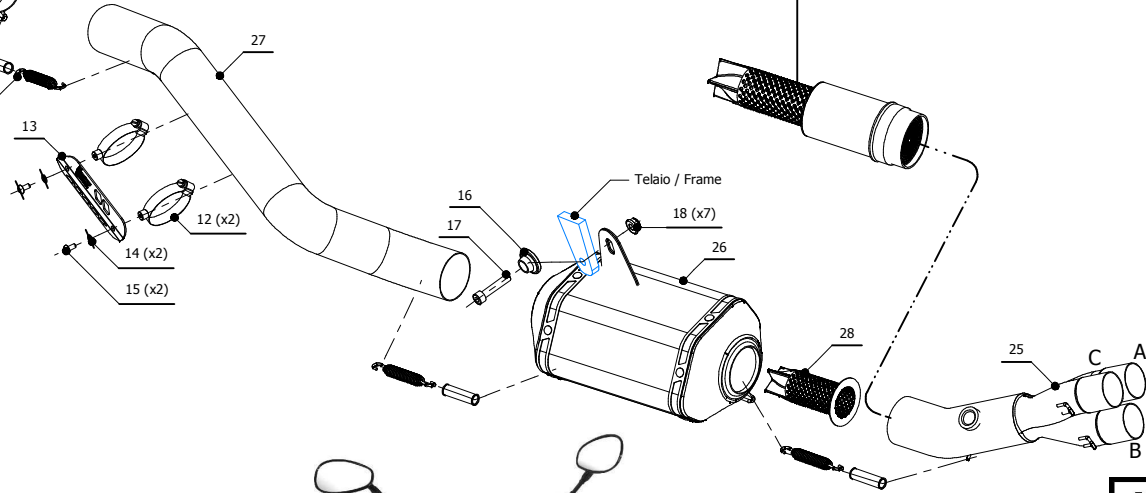


Catalytic Converter
Cod. ACC.042.A1
Optional for Y.056.LGB
Included in Y.056.KGB



ELENCO PARTI / PARTS LIST

#	QTÀ / QTY	DESCRIZIONE / DESCRIPTION	CODICE / CODE
1	3	Vite M4 x 12 / Screw M4 x 12	50.73.438.1
2	3	Rondella M4 / Washer M4	50.73.440.1
3	1	DB killer forato / Drilled DB killer	50.DK.108.0
4	1	Silenziatore / Muffler	GHIBLI BLACK
5	1	Staffa / Bracket	50.SS.967.A
6	1	Vite M8 x 16 / Screw M8 x 16	50.73.098.1
7	2	Vite M6 x 16 / Screw M6 x 16	50.73.175.1
8	2	Rondella M6 / Washer M6	50.72.027.1
9	1	Staffa / Bracket	50.SS.967.0
10	12	Tube in gomma per molla / Rubber pipe for spring	50.73.210.1
11	12	Molla media / Middle spring	50.73.359.1
12	2	Fascetta con bussola / Pipe clamp with bush	50.73.795.0
13	1	Copertura in alluminio / Aluminium cover	50.CR.012.0
14	2	Rondella M5 / Washer M5	50.73.351.1
15	2	Vite M5 x 8 / Screw M5 x 8	50.73.233.1
16	1	Rondella in alluminio nera / Black aluminium washer	50.73.221.1
17	1	Vite M8x40 / Screw M8x40	50.73.075.1
18	7	Dado M8 flangiato / Flanged nut M8	50.73.393.1
19	3	Flangia in alluminio / Aluminium flange	50.73.339.1
20	3	Boccola esterna in acciaio / External steel bush	50.73.338.1
21	3	Boccola interna in acciaio / Internal steel bush	50.73.337.1
22	1	Collettore #1 / Down pipe #1	9773Y04952A
23	1	Collettore #2 / Down pipe #2	9773Y04952B
24	1	Collettore #3 / Down pipe #3	9773Y04952C
25	1	Tube di raccordo 3-1 / Link pipe 3-1	9773Y056SGXD
26	1	Silenziatore / Muffler	9873Y056SHXA
27	1	Tube di raccordo / Link pipe	9773Y056SGXE
28	1	Db Killer forato / Drilled DB killer	50.DK.082.0



APPLICAZIONI / APPLICATIONS

CODICE / CODE	TUBO / PIPE	SILENZIATORE / MUFFLER	NOTE
Y.056.LGB	INOX / ST. STEEL	BLACK STEEL	CATALYTIC CONVERTER NOT INCLUDED
Y.056.KGB	INOX / ST. STEEL	BLACK STEEL	CATALYTIC CONVERTER INCLUDED