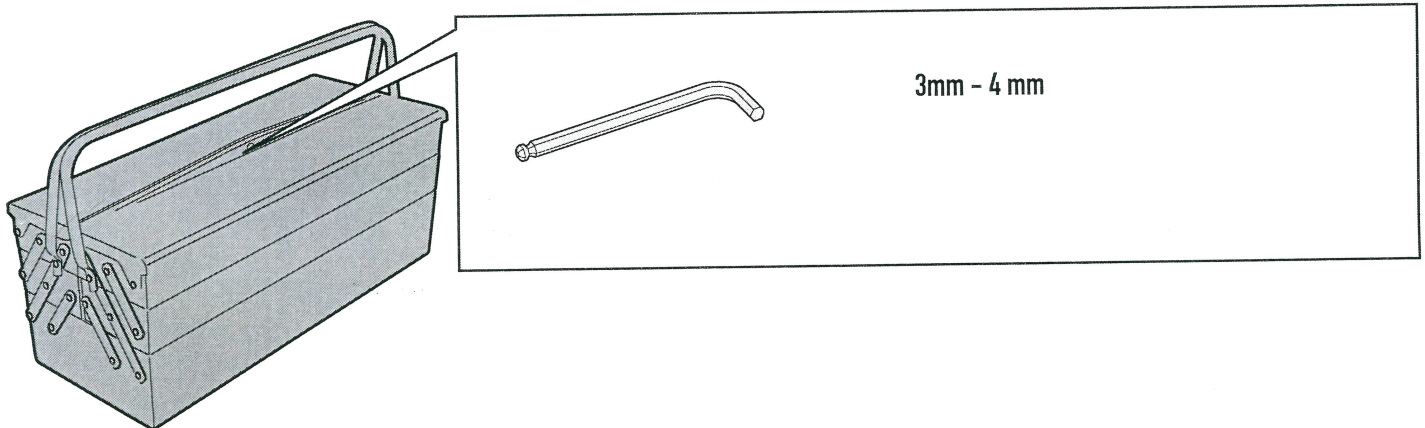
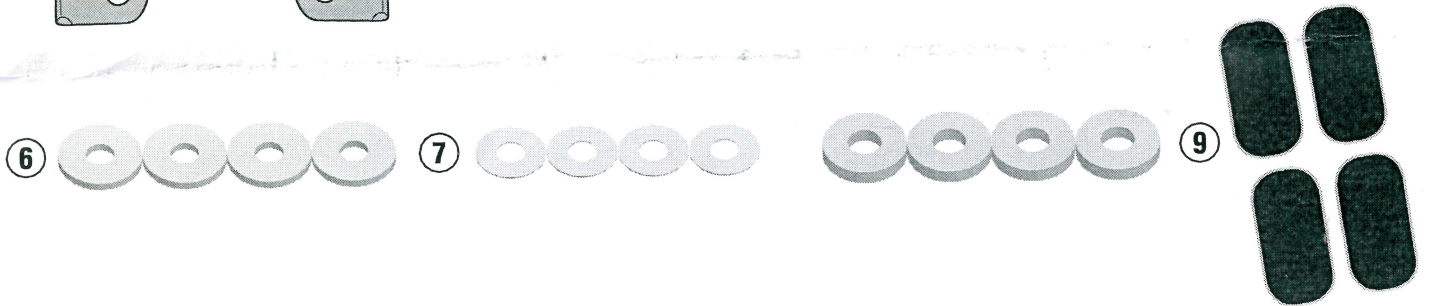
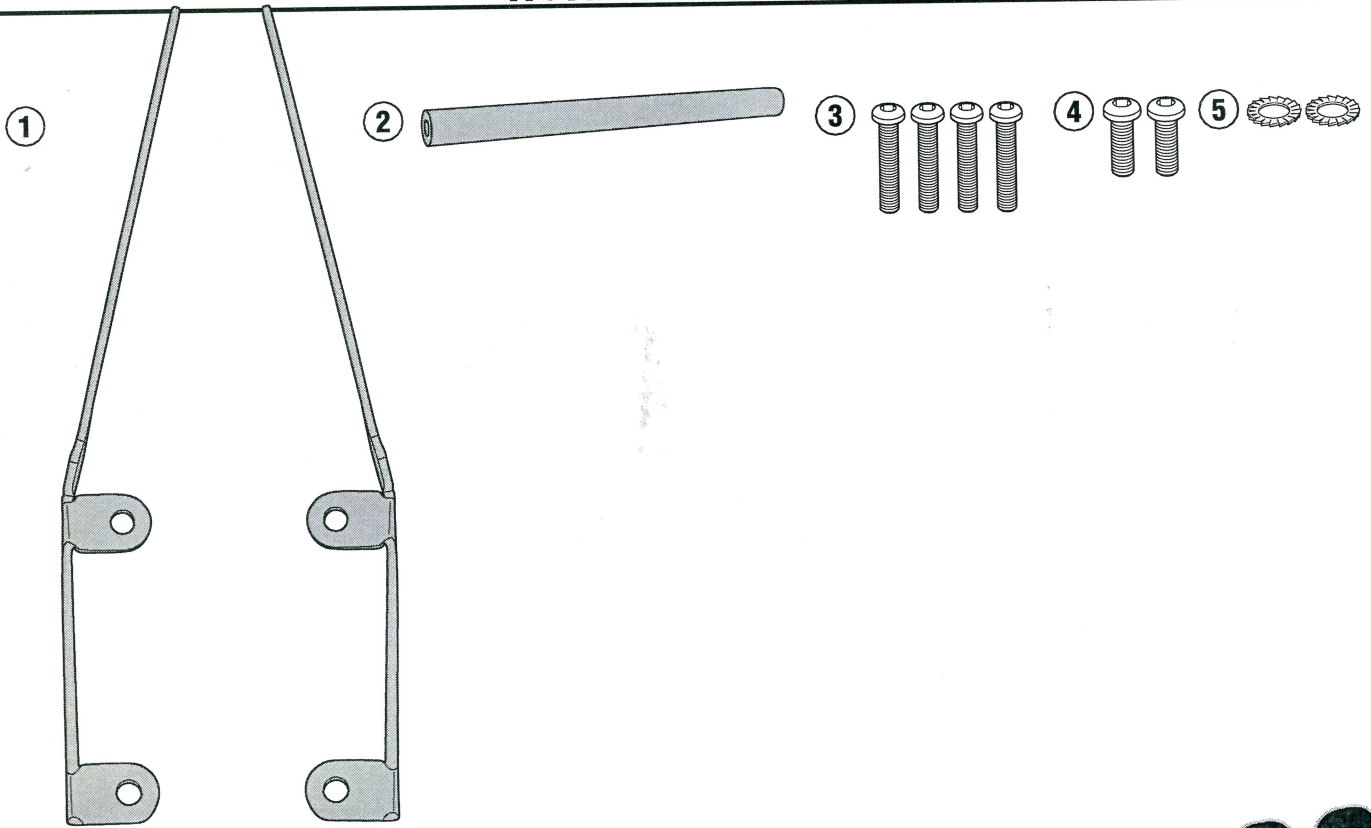


FB1146 - KFB1146
Traversino - Fairing upper bracket - Support gps pour carenage - Barra -
Halterung zur montage am windschild - Suporte
HONDA NC750X (2016)

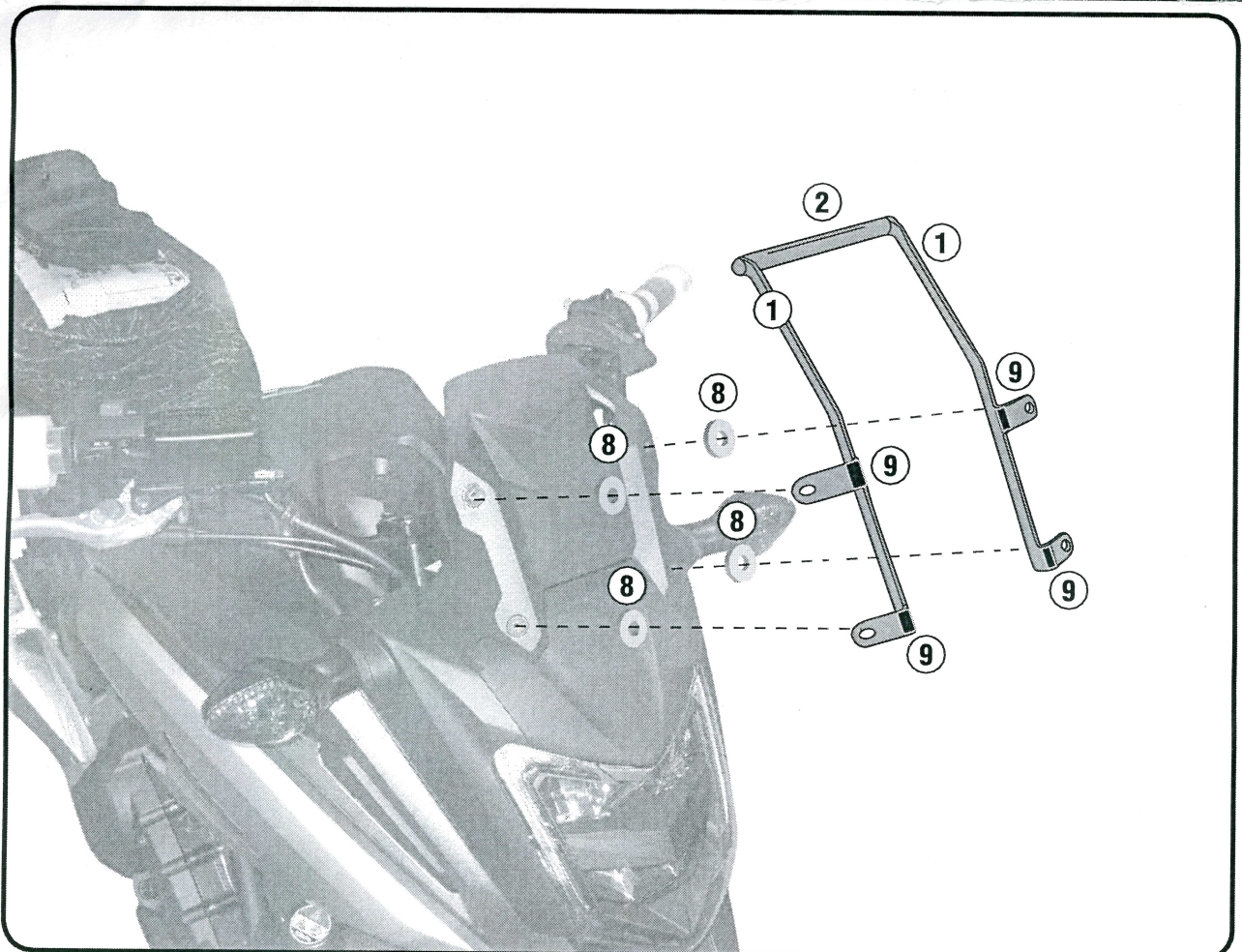
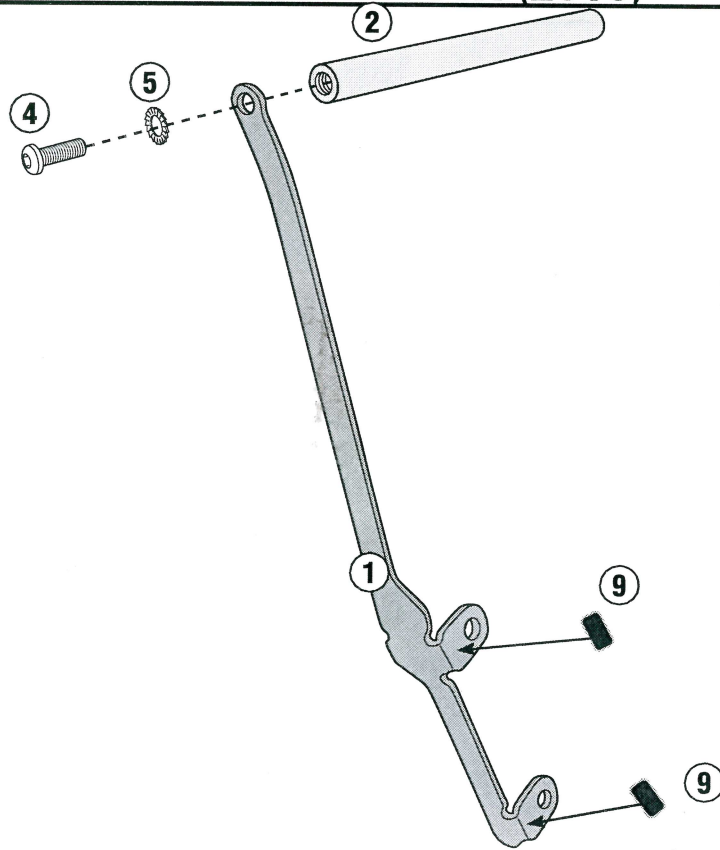
N°	Descrizione	Caratteristiche	Codice	Quantità
1	Supporto - Support - Support Halterung - Soporte - Apoio	-	GL3378DXV GL3378SXV	2 (Dx-Sx)
2	Supporto - Support - Support Halterung - Soporte - Apoio	-	GNB1824V	1
3	Vite - Screw Vis - Schraube Tornillo - Parafuso	TBEIFX M5x25	525TBEIFX	4
4	Vite - Screw Vis - Schraube Tornillo - Parafuso	TBEIFF M6x16	616TBEIFF	2
5	Rondella - Washer - Rondelle Scheibe - Arandela - Arruela	Ø6	6RONZ	2
6	Rondella - Washer - Rondelle Scheibe - Arandela - Arruela	-	ORONG	4
7	Rondella - Washer - Rondelle Scheibe - Arandela - Arruela	-	Z1979	4
8	Distanziale - Spacer Entretoise - Distanzstueck - Distanciador	Ø16x3 Foro 6,5	C16L3F6,5T	4
9	MOUSSE	-	Z298	4

FB1146 - KFB1146

Traversino - Fairing upper bracket - Support gps pour carenage - Barra -
 Halterung zur montage am windschild - Suporte
HONDA NC750X (2016)



FB1146 - KFB1146
Traversino - Fairing upper bracket - Support gps pour carenage - Barra -
Halterung zur montage am windschild - Suporte
HONDA NC750X (2016)



FB1146 - KFB1146
Traversino - Fairing upper bracket - Support gps pour carenage - Barra -
Halterung zur montage am windschild - Suporte
HONDA NC750X (2016)

