



**MODEL** KAWASAKI Z900

**YEAR** 2017 -->

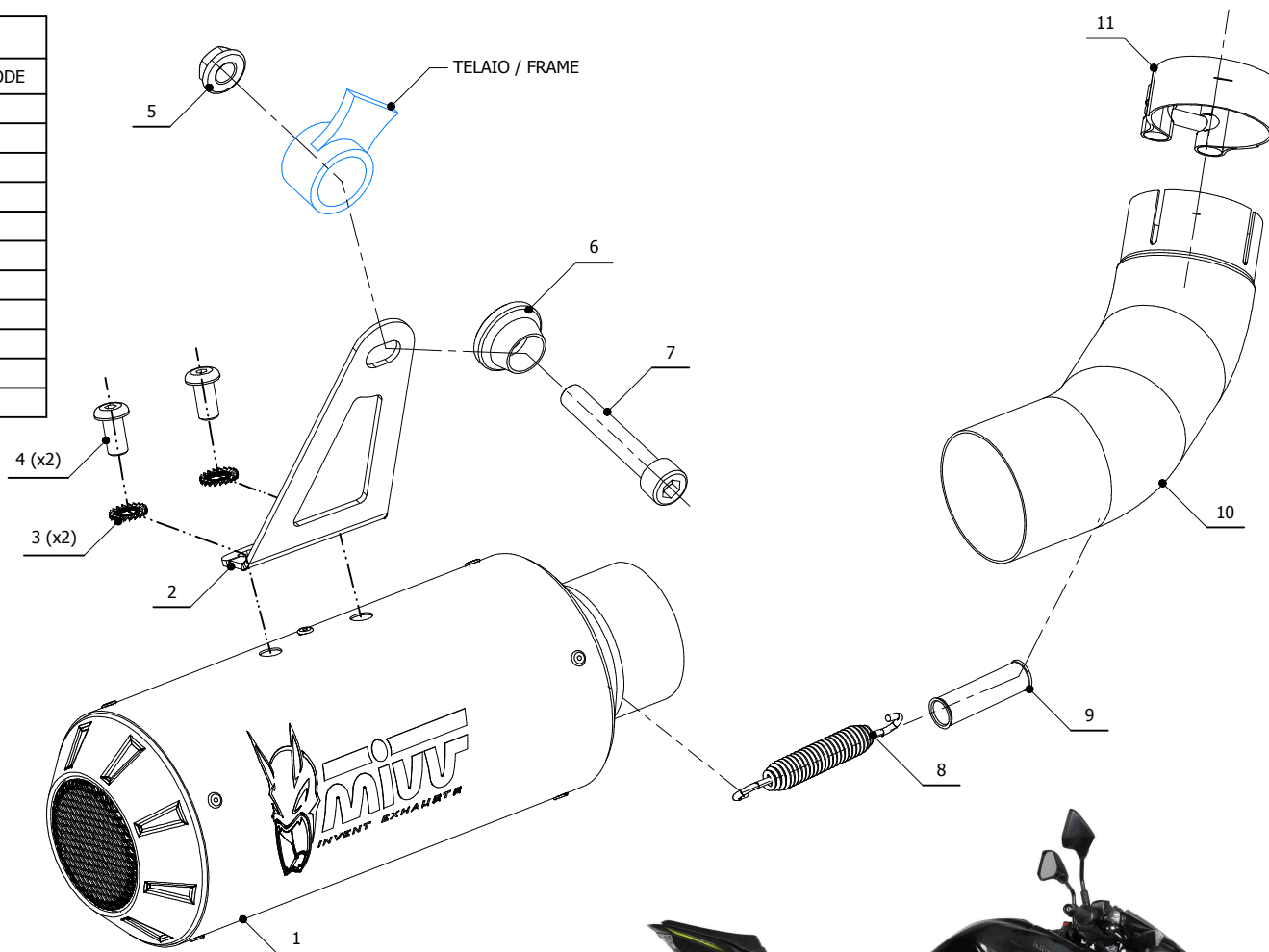
**LINE** SLIP ON

**MUFFLER** M3

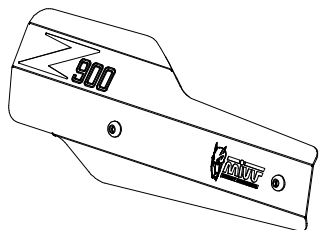
**SCHEMATIC**

**ELENCO PARTI / PARTS LIST**

#	QTÀ / QTY	DESCRIZIONE / DESCRIPTION	CODICE / CODE
1	1	Silenziatore / Muffler	M3 Øi 55
2	1	Staffa / Bracket	50.SS.1117.0
3	2	Rondella di sicurezza / Safety washer	50.73.604.1
4	2	Vite M8 x 16 / Screw M8 x 16	50.73.098.1
5	1	Dado M10 flangiato / Flanged nut M10	50.73.332.1
6	1	Rondella in alluminio nera / Black aluminium washer	50.73.330.1
7	1	Vite M10x60 / Screw M10x60	50.73.135.1
8	1	Molla media / Middle spring	50.73.359.1
9	1	Tubo in gomma per molla / Rubber pipe for spring	50.73.210.1
10	1	Tubo di raccordo / Link pipe	9773K045S2
11	1	Fascetta Ø 48/51 mm / Pipe clamp Ø 48/51 mm	50.FA.007.1



**PARTI OPZIONALI / OPTIONAL PARTS**



**COVER IN ACCIAIO / STEEL COVER**  
**50.CR.037.0**

**APPLICAZIONI / APPLICATIONS**

CODICE / CODE	SILENZIATORE / MUFFLER	LOGO	TUBO / PIPE
K.045.LM3B	STEEL BLACK	LASER	INOX / ST. STEEL
K.045.LM3C	CARBONIO / CARBON FIBER	ALUMINIUM LABEL	
K.045.LM3X	INOX / ST. STEEL	LASER	

