

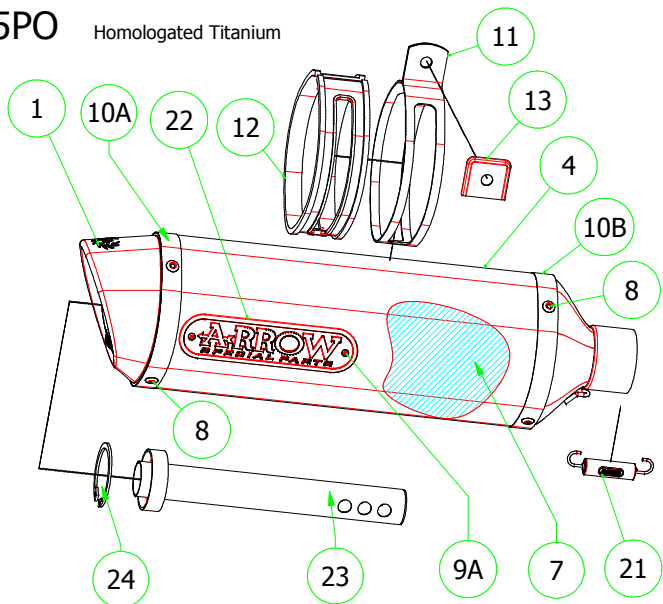
Derbi GPR 125 4T '10-12



51505AON Homologated Aluminium Dark

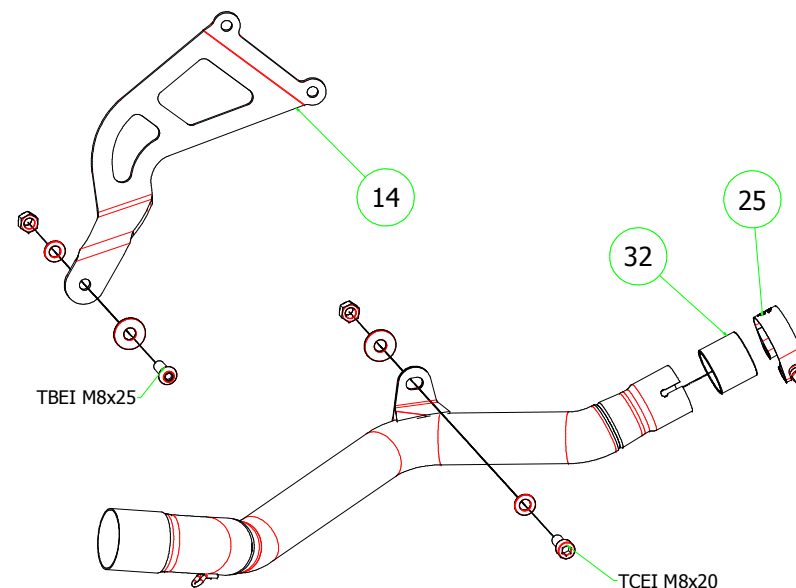
51505AO Homologated Aluminium

51505PO Homologated Titanium



11009KZ Catalizzatore / Catalized

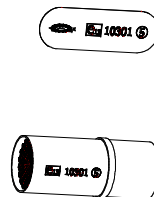
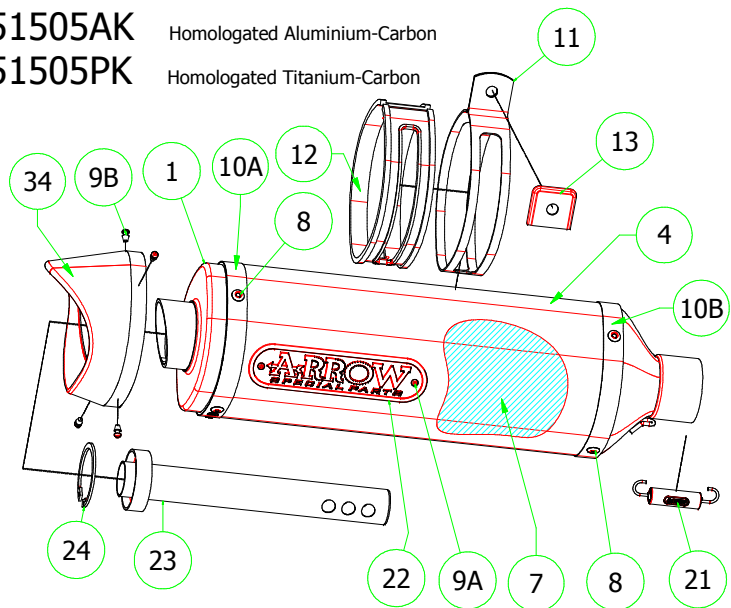
51006MI Raccordo / Mid Pipe



51505AKN Homologated Aluminium-Carbon(Dark Line)

51505AK Homologated Aluminium-Carbon

51505PK Homologated Titanium-Carbon



PARTI DI RICAMBIO / SPARE PARTS

| ID | DESCRIZIONE / DESCRIPTION | 51505AK cod | 51505AKN cod | 51505AO cod | 51505AON cod | 51505PK cod | 51505PO cod | 51006MI cod | 11009KZ cod |
|-----|--|----------------|-----------------|----------------|-----------------|----------------|----------------|----------------|----------------|
| 1 | Fondello Posteriore / End Cap | 5009446 | 5009446 | 5009664 | 5009664 | 5009446 | 5009664 | | |
| 2 | Fondello Posteriore Sx. / Left end cap | | | | | | | | |
| 3 | Fondello Posteriore Dx./ Right end cap | | | | | | | | |
| 4 | Corpo Marmitta / Silencer Sleeve | 5257043 | 5257158 | 5257043 | 5257158 | 5260254 | 5260254 | | |
| 5 | Corpo Marmitta Sup. / Upper Silencer Sleeve | | | | | | | | |
| 6 | Corpo Marmitta Inf./ Lower Silencer Sleeve | | | | | | | | |
| 7 | Materiale fonoassorbente / Sound-absorbant material | 19003UN | 19003UN | 19003UN | 19003UN | 19003UN | 19003UN | | |
| 8 | Rivetto inox mm 4.8 / Stainless Steel 4.8 mm Rivet | 3608011 | 3608011 | 3608011 | 3608011 | 3608011 | 3608011 | | |
| 9A | Rivetto allum.mm.3.0 / Aluminium 3.0 mm Rivet | 3608016 | 3608016 | 3608010 | 3608016 | 3608010 | 3608010 | | |
| 9B | Rivetto allum.mm.3.0 nero / Black Aluminium 3.0 mm Rivet | 3608016 | 3608016 | | | 3608016 | | | |
| 10A | Fascetta di Serraggio (Posteriore) / Strap For Rivets (Rear) | 5495261 | 5495261 | 5495064 | 5495064 | 5495225 | 5495060 | | |
| 10B | Fascetta di serraggio (Anteriore) / Strap For Rivets (Front) | 5495064 | 5495064 | 5495064 | 5495064 | 5495060 | 5495060 | | |
| 11 | Fascetta di Sostegno / Silencer Clamp | 5480079 | 5480079 | 5480079 | 5480079 | 5490024 | 5490024 | | |
| 12 | Guarnizione x Fascetta / Clamp Gasket | 5630003 | 5630003 | 5630003 | 5630003 | | | | |
| 13 | Copri Fascetta / Stainless Steel Clamp Protection | 5480004 | 5480004 | 5480004 | 5480004 | | | | |
| 14 | Staffa di Sostegno / Bracket | | | | | | | 5843163 | |
| 15 | Staffa sostegno "Sx" / Left Bracket | | | | | | | | |
| 16 | Staffa sostegno "Dx" / Right Bracket | | | | | | | | |
| 17 | Inserto Rapid Nut / Rapid nut insert | | | | | | | | |
| 18 | Molla lunga gangio tondo / Long Spring With Round Hook | | | | | | | | |
| 19 | Molla lunga gancio ad "U" / Long Spring With "U" Hook | | | | | | | | |
| 20 | Molla corta gancio tondo / Short spring with roud hook | | | | | | | | |
| 21 | Molla corta gancio ad "U" / Short Spring With "U" Hook | 5281003 | 5281003 | 5281003 | 5281003 | 5281003 | 5281003 | | |
| 22 | Targhetta Arrow / Arrow Plate | 5855109 | 5855109 | 5855031 | 5855109 | 5855031 | 5855031 | | |
| 23 | Silenziatore Interno / Db Killer | 5930095 | 5930095 | 5930095 | 5930095 | 5930095 | 5930095 | | |
| 24 | Seeger / Retain Clip | 3640025 | 3640025 | 3640025 | 3640025 | 3640025 | 3640025 | | |
| 25 | Fascetta Stringitubo / Pipe Clamp | | | | | | | 3080006 | |
| 26 | Boccola / Bushing | | | | | | | | |
| 27 | Flangia / Flange | | | | | | | | |
| 28 | Protezione / Heat Shield | | | | | | | | |
| 29 | Protezione superiore / Upper heat shield | | | | | | | | |
| 30 | Protezione inferiore / Lower heat shield | | | | | | | | |
| 31 | Gommino Battuta Cavalletto / Rubber Kickstand Protection | | | | | | | | |
| 32 | Guarnizione di tenuta / Gasket | | | | | | | 5660039 | |
| 33 | Tappo Sonda Lambda / Lambda Sensor Plug Bolt | | | | | | | | |
| 34 | Fondello carby / Carby cap | 5704100 | 5704100 | | | 5704037 | | | |