

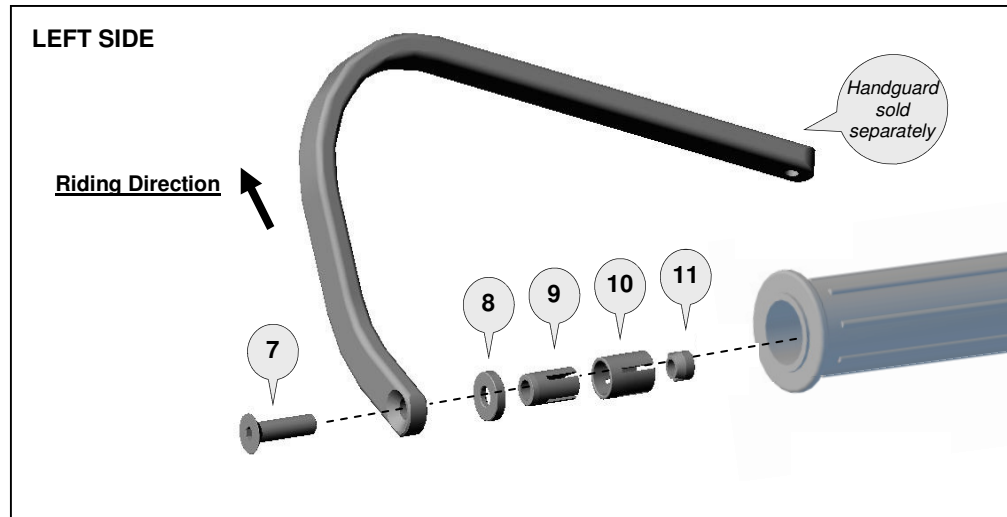
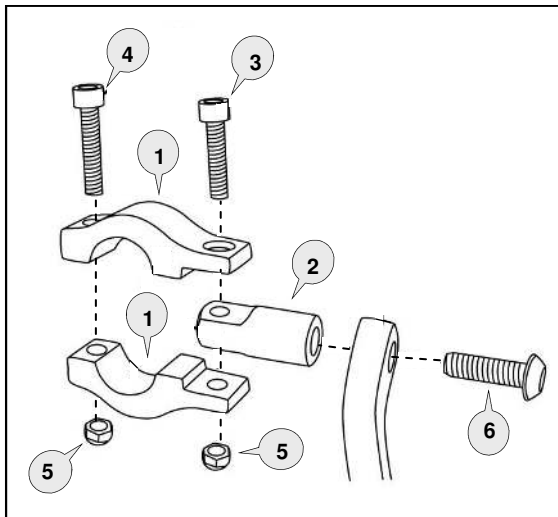
ANBAUANLEITUNG

mounting instructions • instructions de montage • instrucciones de montaje • istruzioni di montaggio

EGO-001-00-YE

beinhaltet • contains • contient • contiene • contiene

BSC-STD



Important Fitting Procedure

Fit Handguard as per handguard fitting instructions.

Loosely assemble the clamp to the handlebar as per diagram. Attach the handguard with applicable parts to the handlebar end and also to the clamp connector (2).

The clamp bolts must be tightened in the following order:

Tighten bolt (6) through the handguard to the clamp connector (2) of the clamp assembly.

Tighten bolt (3) to solidly lock the clamp connector (2) between the clamp saddles (1).

Tighten bolt (4) to secure the clamp assembly firmly to the handlebar.

Note: The clamp is designed to allow the nut on bolt (3) to pull into the recessed hole. This eliminates the need for a wrench after the bolt starts to tighten.




1 Clamp Saddle



PN: CS-STD
Pcs. 4 pieces

2 Clamp Connector 45mm



PN: CP1
Pcs. 2

3 Socket Head Bolt 25mm



PN: M6x25SHCSZP
Pcs. 2

4 Socket Head Bolt 30mm



PN: M6x30SHCSZP
Pcs. 2

5 Nylock Nut



PN: M6LN
Pcs. 4

6 Button Head Bolt 25mm



PN: M8x25BHCSZP
Pcs. 2

7 Flat Head Bolt 45mm



PN: M8x45FHCSZP
Pcs. 2

8 Collar



PN: BBEC5
Pcs. 2

9 Expander



PN: BBE14A
Pcs. 2

10 Collet



PN: COLLET14-18
Pcs. 2

11 Taper Nut



PN: NUT12
Pcs. 2

Recommended Torque Settings	
M6	10 Nm (7.4 lbf ft)
M8	20 Nm (14.8 lbf ft)

CAUTION:

Installation of a handguard is safety-relevant work and can be complicated. We recommend the installation be performed by a motorcycle service technician. Rideworx accepts no liability for damages caused by improper mounting. All screws, bolts and nuts, including all replacement hardware provided by Rideworx, should be tightened to the torque specified in the below table. After the first 50km of riding check all screws, bolts and nuts are tightened to the correct torque. We recommend a medium strength liquid thread lock product on all fasteners.

WARNING:

Check operation of all handlebar controls, specifically the throttle, front brake, kill switch and clutch to ensure they are operating correctly and are in accordance with the OEM specifications. Do not ride the motorcycle if any controls are not operating correctly. Check periodically that all bolts are tight.



Phone: +61 (0)2 4271 8244
Email: info@barkbusters.net
Web: www.barkbusters.net



Disclaimer:
Rideworx inspects all products prior to packaging and strives toward improving its products. Our guarantee is limited to the replacement of defective products. This limited guarantee is in lieu of all other guarantees or warranties implied or expressed. Buyer assumes all risk for any and all damage caused to him/herself, a third party and/or property by virtue of failure of this product. We make no warranty as to products distributed by Rideworx, expressed or implied from our suppliers or third party vendors. This includes, without limitation, any warranties or merchantability and fitness for a particular purpose. All products are offered and designed for use with standard machines. Rideworx makes no claims as to the products effectiveness on modified machines. Rideworx is the sole determiner of abuse, misuse, installation errors and modifications. We assume no liability for any errors in listings, specifications, part numbers, prices or model applications. We reserve the right to change specifications, product descriptions, product quality, pricing and application at any time without notice and without further obligation. These handguards are not designed to prevent injury in the event of an accident or crash. Ensure all controls are free of the handguards each time you ride. Failure to follow the instructions or heed this warning could lead to loss of control of your motorcycle and/or accident, injury or death. By installing and/or using a Rideworx product, you hereby accept and understand these stated terms and conditions and have followed all instructional steps.