

# SHAD TERRA

DESIGNED IN BARCELONA

SADDLE BAGS  
**TR40** X0TR401



64L Capacity (set)



Double locking system



10Kg capacity per bag



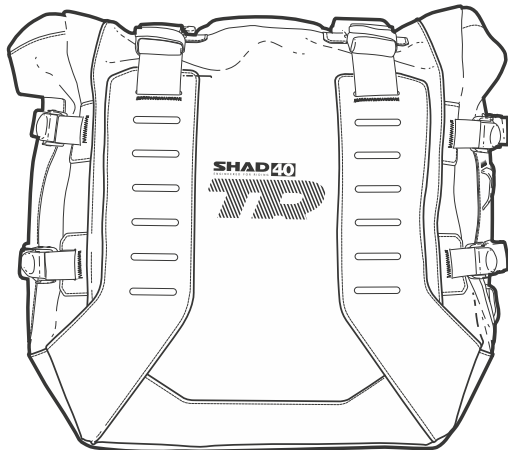
4P system



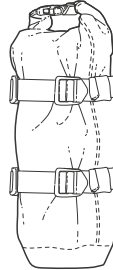
Roll system



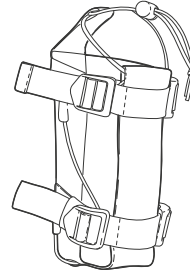
UV RESISTANCE / ISO 105 A 02  
GRADE 5 / 5 (TESTED 1500h)



Removable exterior pouch

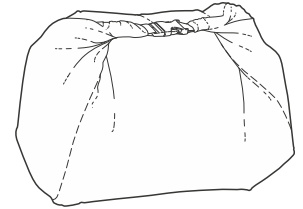


Removable extra fuel bottle harness



INCLUDED

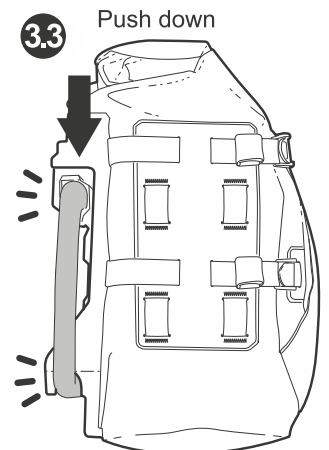
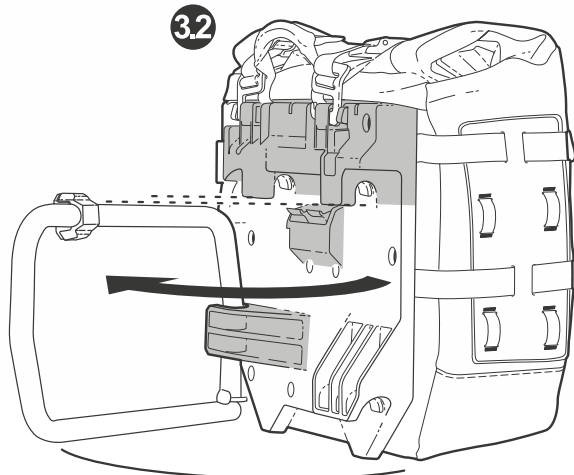
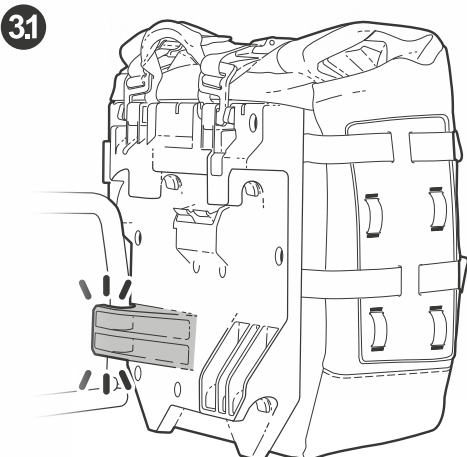
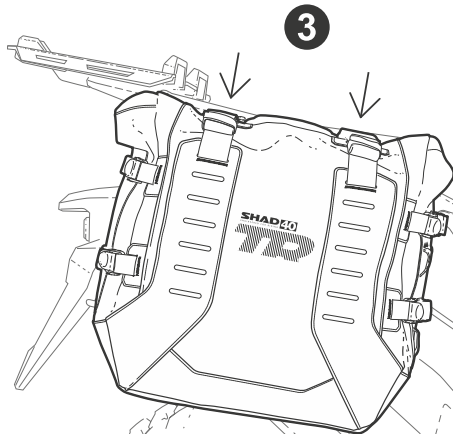
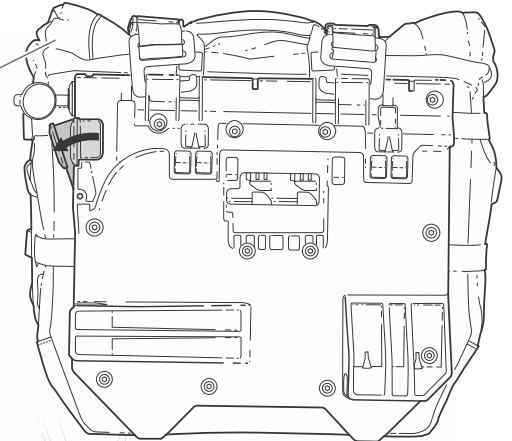
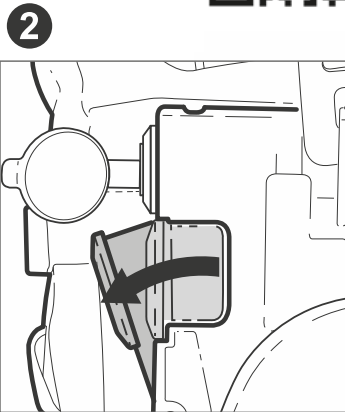
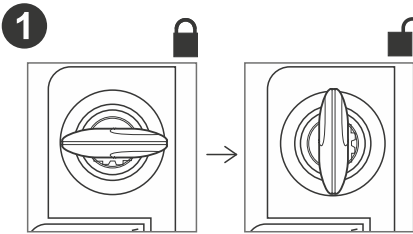
Inner bag

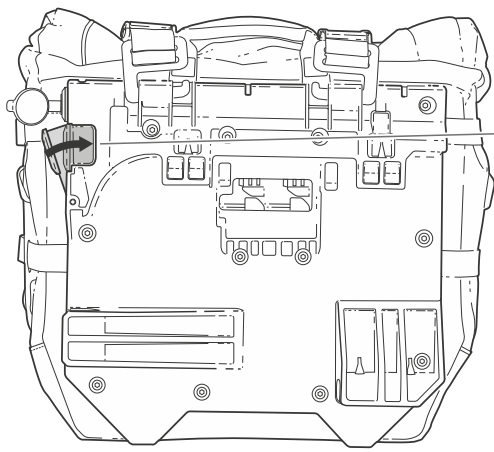


VIDEO USAGE

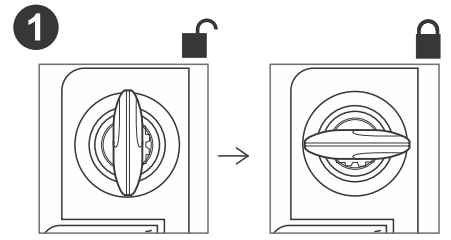
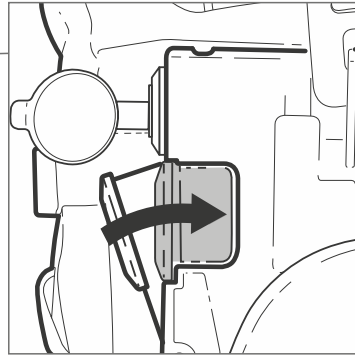


## ASSEMBLY

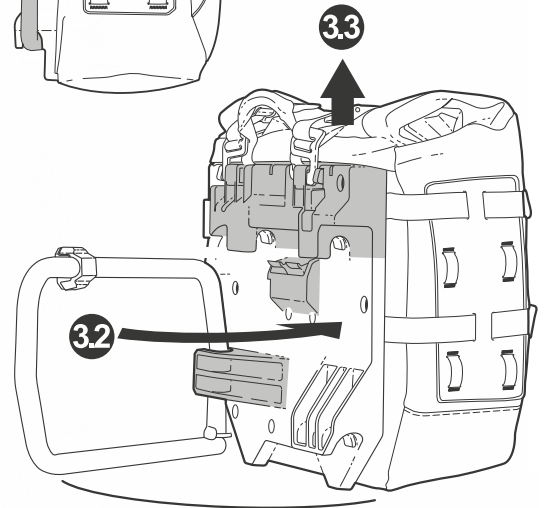
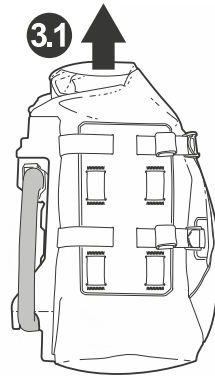
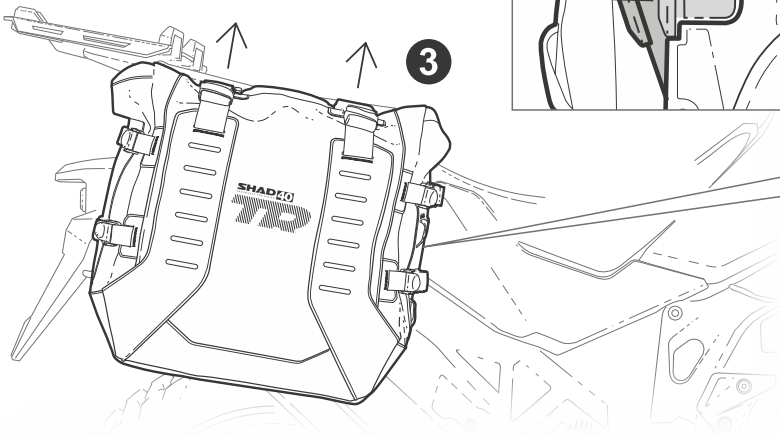
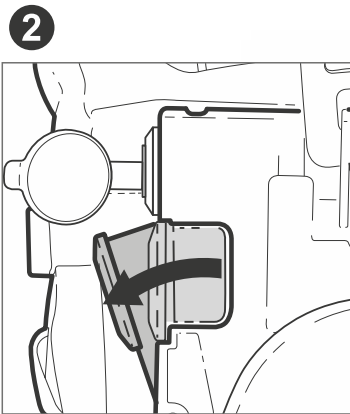
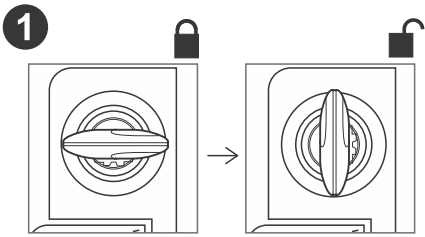




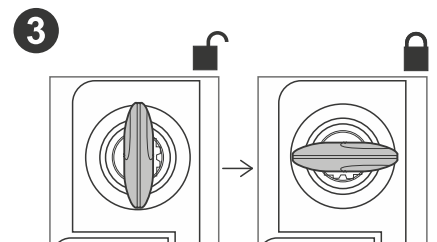
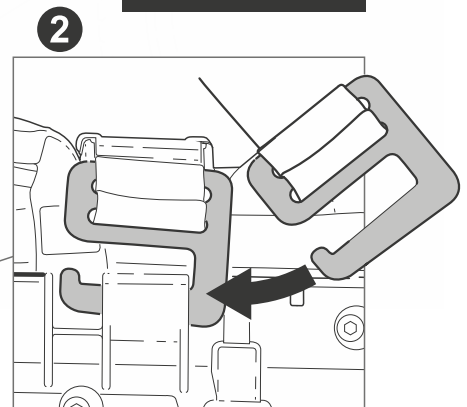
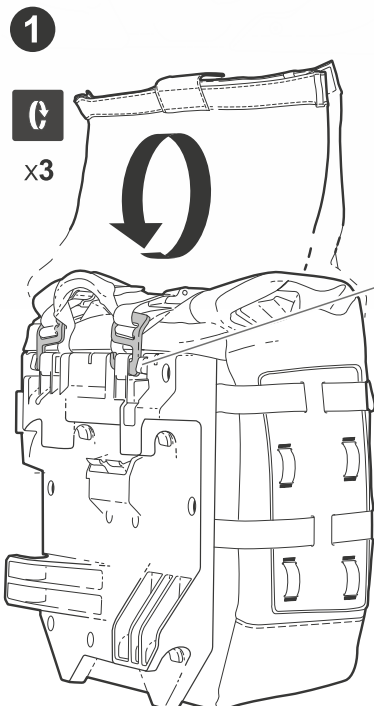
**4 WARNING! ⚠**



**RELEASE**



**OPEN - CLOSE**



1 M. MINIMUM DISTANCE WITH POWER WASHER.



MAXIMUM WEIGHT PER BAG.



MAXIMUM SPEED, CHECK LOCAL LAWS.



ALWAYS SECURE AND LOCK PRODUCTS.



ONLY USE RECOMMENDED CLEANING PRODUCTS.



CASES ARE NOT DESIGNED TO PROTECT FRAGILE OBJECTS.